



## Network Appliance™ SyncMirror™ Software

### Synchronous data replication for maximum data availability.

#### Key Features

- **SYNCHRONOUS REPLICATION**  
Ensures that a copy of your data is always up-to-date and available in your local data center.
- **TRANSPARENT OPERATION**  
Enables all applications to access the synchronously replicated data with no programming or system changes.
- **INTEGRATION WITH CLUSTERED FAILOVER**  
Provides complete hardware redundancy with automatic failover for the highest level of data availability.

#### The Challenge: Achieving the Highest Levels of Data Availability

Information is among your company's most valuable assets, and ensuring that it's secure and available is a mission-critical priority. To maximize its value, information must be kept up-to-date in order to provide decision makers the knowledge needed to run the business, increase operational efficiency, strengthen customer relationships, and exploit new market opportunities. Without access to current information, organizations can't act or adapt as quickly as demanded by today's economy, and are placed at a major competitive disadvantage.

#### The Solution: Get Up-to-Date Information with NetApp® SyncMirror

NetApp SyncMirror ensures your data is available and up-to-date at all times. By maintaining two copies of data online, SyncMirror protects your data against all types of hardware outages, including triple disk failure. When used with the NetApp Clustered Failover high-availability solution, SyncMirror enables you to achieve the highest level of data availability—a level previously attainable only with mainframe architecture. In addition, the simple-to-administer and cost-effective NetApp solution delivers an unmatched ROI.

#### Highest Data Availability with Complete Redundancy

SyncMirror maintains a strict physical separation between the two copies of your mirrored data. In the event of an outage—whether it's due to a disk problem, cable break, or host bus adapter (HBA) failure—SyncMirror can instantly access the mirrored data without any operator intervention or disruption to client applications. Business continuance is assured, and you can find and fix the source of the outage with no interruption to your operation and avoid costly downtime.

#### Flexibility, Efficiency, and Ease of Use

SyncMirror is seamlessly integrated with Data ONTAP™. You manage the mirrored data in the same way as other data on the filer. In addition to providing the highest data availability, SyncMirror allows you to split the data copies with a simple command so that the mirrored data can be used by another application. This gives you a perfect solution for doing backup, application testing, or data mining using up-to-date production data. You can perform these background tasks using the mirrored data without affecting your production environment and improve productivity at the same time.

#### Unleash the Power of Information

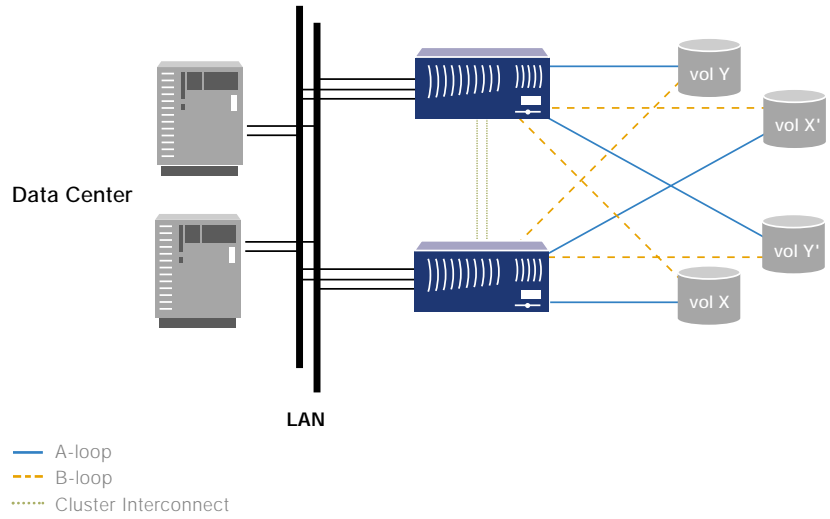
See how Network Appliance can bring global data availability and disaster recovery solutions to your enterprise network. Visit our Web site at [www.netapp.com](http://www.netapp.com) and let us show you what "The evolution of storage™" can mean for your business.

#### software

Network Appliance gives you the industry's most reliable storage software solutions, optimized specifically for the job, easy to use and administer, with the lowest TCO and maximum ROI.

**Benefits**

- Highest Data Availability
- Complete Redundancy
- Up-to-date Mirror
- Automatic Failover
- Transparent to Application
- Flexibility and Simplicity

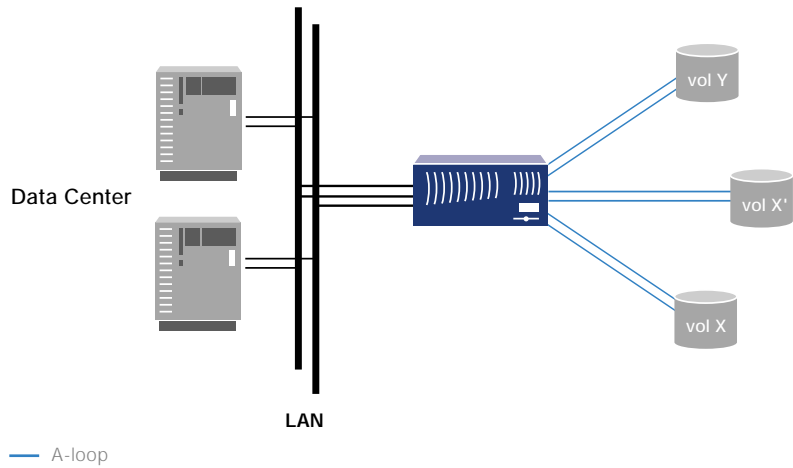


**Figure 1) SyncMirror with Clustered Failover**

Replicating data using SyncMirror with filers in a Clustered Failover configuration delivers the highest data availability, complete redundancy, and automatic failover.

**Benefits**

- Data Availability
- Redundant Storage Subsystem
- Up-to-date Mirror
- Transparent to Application
- Flexibility and Simplicity



**Figure 2) SyncMirror with Single Filer**

Replicating data using SyncMirror with a single filer creates a redundant storage subsystem with an up-to-date mirror for high data availability.